

4

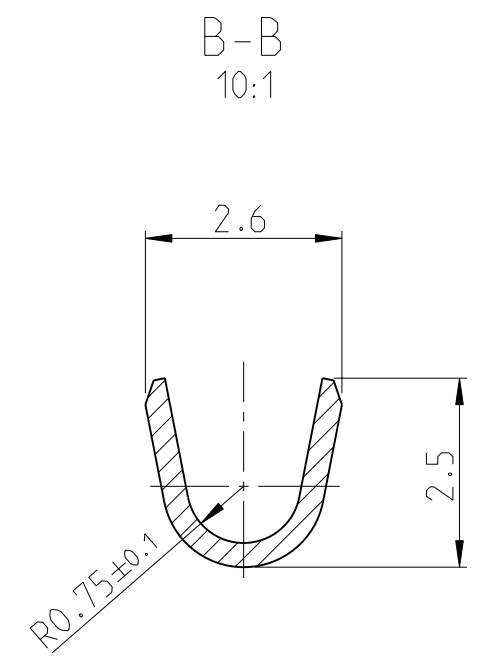
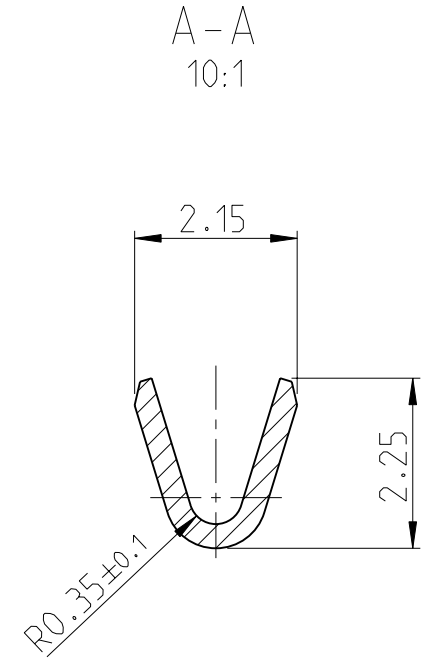
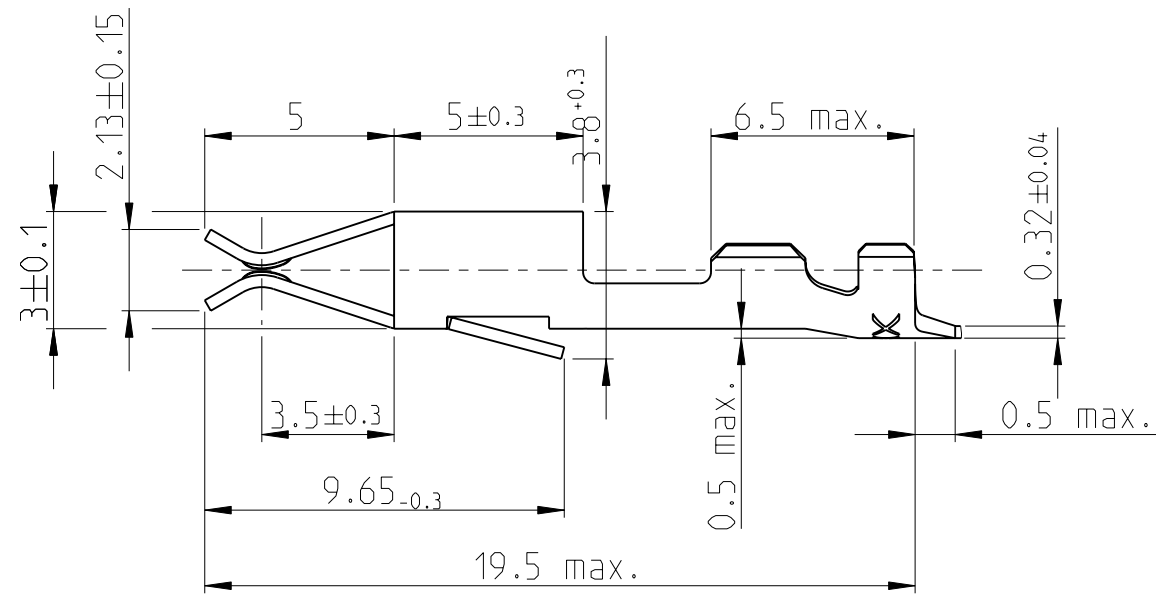
3

2

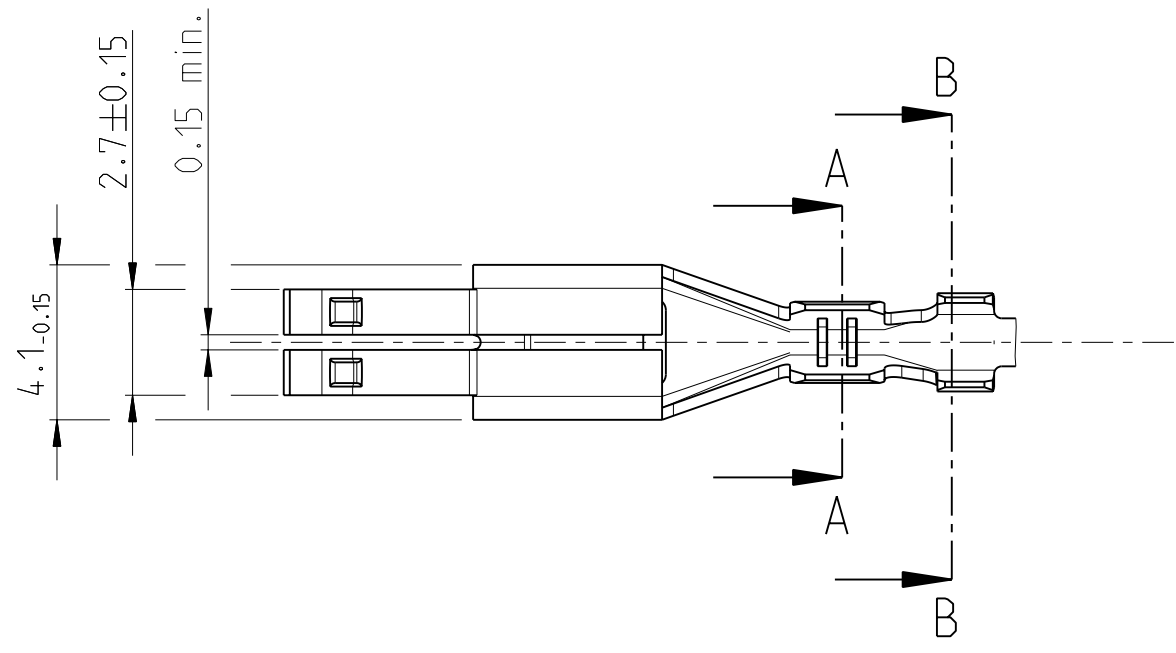
1

THIS DRAWING IS UNPUBLISHED. RELEASED FOR PUBLICATION  
 © COPYRIGHT - ALL RIGHTS RESERVED.

LOC	DIST	REVISIONS					
		P	LTR	DESCRIPTION	DATE	DWN	APVD
A1	-		B2	REVISED PER ECO-11-005150	31MAR2011	RK	HMR



WIRE SIZE RANGE: 0.2 - 0.5mm<sup>2</sup>  
 Drahtgrößenbereich: 0.2 - 0.5mm<sup>2</sup>



LOOSE PIECE	PART NO.	MATERIAL	FINISH
927872-4	927871-4	CuZn30	PRESILVER PLATED
927872-2	927871-2	CuSn4	PRE-TINNED
927872-1	927871-1	CuZn30	PRE-TINNED

THIS DRAWING IS A CONTROLLED DOCUMENT.		DWN J. Widder 11SEP1984	TE Connectivity													
DIMENSIONS: mm		CHK Herth 12SEP1984														
TOLERANCES UNLESS OTHERWISE SPECIFIED:		APVD -	NAME JUNIOR-TIMER CONTACT													
<table border="0"> <tr><td>0 PLC</td><td>±</td></tr> <tr><td>1 PLC</td><td>±</td></tr> <tr><td>2 PLC</td><td>± ±0.2</td></tr> <tr><td>3 PLC</td><td>±</td></tr> <tr><td>4 PLC</td><td>±</td></tr> <tr><td>ANGLES</td><td>°</td></tr> </table>		0 PLC	±	1 PLC	±	2 PLC	± ±0.2	3 PLC	±	4 PLC	±	ANGLES	°	PRODUCT SPEC 108-18053	Junior-Timer Kontakt	
0 PLC	±															
1 PLC	±															
2 PLC	± ±0.2															
3 PLC	±															
4 PLC	±															
ANGLES	°															
MATERIAL -		FINISH -	APPLICATION SPEC 114-18079	RESTRICTED TO -												
		WEIGHT -	SIZE A3	CAGE CODE 00779												
			DRAWING NO. ©-927871	SCALE 5:1												
			CUSTOMER DRAWING	SHEET 1 OF 1												
				REV B2												